

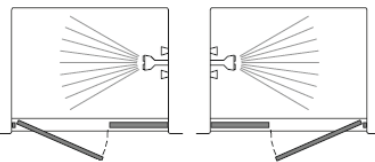
INSTALLATION TOOLS REQUIRED:
TAPE MEASURE, MASKING TAPE, LEVEL, #2 PHILLIPS SCREWDRIVER, DRILL WITH 1/8" AND 3/16" BITS, Mallet OR HAMMER, WOOD BLOCK, RAZOR OR SHARP KNIFE, HACKSAW, PENCIL, CLEAR SILICONE CAULKING.

OPTIONAL: MITER BOX, FILE AND CENTER-PUNCH.

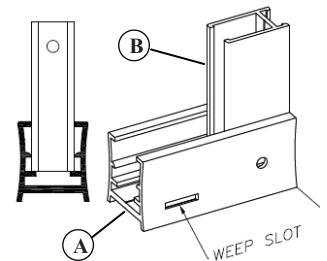
1. THE WATERFALL VISTA DOOR & PANEL IS REVERSIBLE AND MAY BE INSTALLED PIVOT LEFT OR RIGHT. SEE ILLUSTRATION.

THE HINGE JAMB SHOULD ALWAYS BE OPPOSITE THE SHOWER HEAD AS SHOWN IN THE ILLUSTRATION.

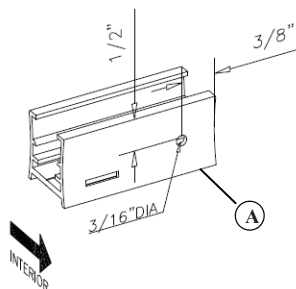
DOORS MUST ALWAYS OPEN OUTWARD.



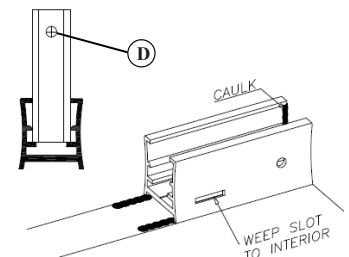
3. PLACE 2 WALL JAMBS (B) INTO THE ENDS OF THE CURB (A). USE MASKING TAPE TO HOLD THE CURB IN POSITION. PLUMB BOTH JAMBS AND MARK THE HOLE LOCATIONS ON THE WALL. REMOVE THE JAMBS AND DRILL THE WALLS FOR MOUNTING. DRILL SIX 3/16" DIAMETER HOLES FOR TILE OR MARBLE WALLS AND INSERT THE PLASTIC WALL ANCHORS (C). ATTACHMENTS TO FIBERGLASS OR ACRYLIC UNITS CAN BE MADE IN TWO WAYS. IF REINFORCEMENT IS BUILT INTO THE WALL, DRILL THREE 1/8" DIAMETER HOLES TO INSTALL THE MOUNTING SCREWS DIRECTLY INTO THE REINFORCEMENT. IF THERE IS NO REINFORCEMENT, DRILL 3/16" HOLES AND INSTALL PLASTIC WALL ANCHORS OR MOLLY BOLTS (NOT SUPPLIED).



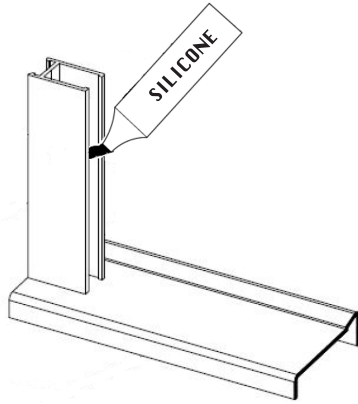
2. MEASURE THE OPENING AT THE BOTTOM OF THE SHOWER STALL AND CUT THE CURB (A) TO FIT THE OPENING. NOTE: THE CURB HAS WEEP SLOTS. IF NECESSARY FILE THE CORNERS OF THE CURB TO FIT THE SILL. DRILL THE INTERIOR FACE OF THE CURB ON BOTH ENDS WITH A 3/16" DRILL BIT AS SHOWN. POSITION THE CURB ON THE SILL WITH THE WEEP SLOTS TO THE INSIDE AND MARK ITS POSITION WITH A PENCIL.



4. CLEAN THE SHOWER WALLS, SILL, CURB AND WALL JAMBS TO REMOVE ANY DEBRIS. APPLY A 1/4" BEAD OF CAULK ALONG THE INSIDE OF THE PENCIL LINES FROM STEP #2. REPLACE THE CURB IN THE EXACT POSITION MARKED. CAULK THE INSIDE OF THE CURB WHERE THE ENDS MEET THE WALL. REPLACE BOTH WALL JAMBS AND ATTACH TO THE WALL WITH SIX #8 X 1-1/2" TRUSS HEAD SCREWS (D).



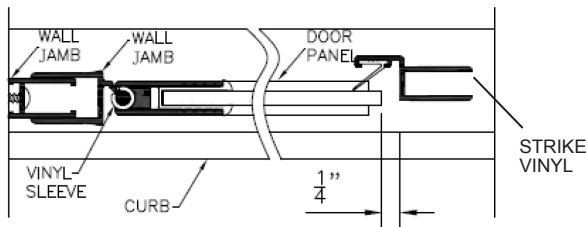
5. PLACE SETTING BLOCKS (E) IN THE CURB (A) AS SHOWN TO SUPPORT THE FIXED GLASS PANEL (F). THE SETTING BLOCKS SHOULD BE POSITIONED APPROXIMATELY 3" FROM EACH CORNER OF THE GLASS. SET THE GLASS PANEL INTO PLACE ON THE SETTING BLOCKS AND APPROXIMATELY 1/2" INTO THE WALL JAMB (B). PLACE A STRIP OF MASKING TAPE 1/2" FROM THE EDGE OF THE GLASS TO MARK THE POSITION. RUN A BEAD OF CLEAR SILICONE THE FULL LENGTH INSIDE OF THE WALL JAMB (SEE ILLUSTRATION) AND CAREFULLY PLACE THE STATIONARY GLASS PANEL ON TOP OF THE SETTING BLOCKS, AND SLIDE IT INTO THE WALL JAMB.



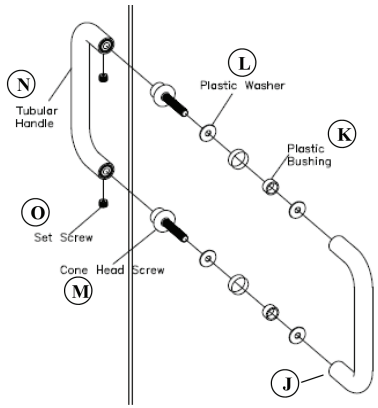
6. WITH YOUR STATIONARY PANEL IN PLACE, MEASURE THE BOTTOM LENGTH OF YOUR GLASS PANEL, FROM ITS EDGE TO THE JAMB. CUT YOUR FRONT/BACK VINYL STRIPS TO THAT LENGTH, THEN PRESS THEM INTO THE REMAINING SPACE BETWEEN THE BOTTOM CURB AND THE STATIONARY GLASS PANEL. THIS WILL SECURE THE PANEL IN PLACE.
TIP: IF YOU'RE HAVING TROUBLE INSTALLING THE FRONT/BACK VINYL STRIPS, APPLY A SMALL AMOUNT OF SOAPY WATER TO IT. THIS MAKES THE APPLICATION SMOOTHER.

7. WITH THE PANEL IN PLACE, PRESS THE VINYL STRIKE POST ONTO THE EXPOSED EDGE. MAKE SURE THE VINYL STRIKE POST IS FIRMLY SEATED ALL THE WAY ONTO THE PANEL.

8. SLIDE THE HINGE JAMB OF THE DOOR PANEL ASSEMBLY (F) OVER THE MOUNTED WALL JAMB (B) SO THE DOOR WILL OPEN OUTWARD. ADJUST THE DOOR PANEL ASSEMBLY SO THERE IS 1/4" CLEARANCE BETWEEN THE STRIKE VINYL AND THE STRIKE EDGE OF THE DOOR GLASS IN THE CLOSED POSITION. MARK THE LOCATION OF THE HINGE JAMB ON THE WALL JAMB WITH A PENCIL. REPEAT THE DRILLING INSTRUCTIONS FROM STEP #1 AND ATTACH THE DOOR PANEL ASSEMBLY WITH THREE #6 X 3/8" PAN HEAD SCREWS (G). REPEAT STEP #1 FOR HINGE JAMB ATTACHMENT.

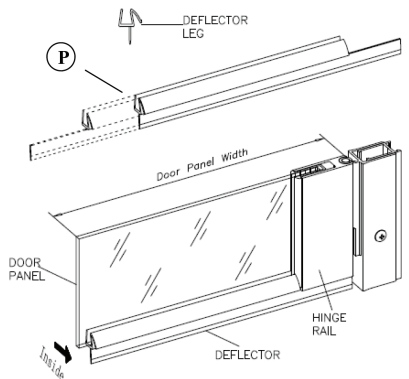


10. LOCATE THE HANDLE (J) THAT HAS NO SET SCREWS. PLACE A PLASTIC BUSHING (K) IN THE TOP HANDLE HOLE THEN PLACE A PLASTIC WASHER (L) AGAINST THE GLASS. PLACE THE HANDLE AGAINST THE PLASTIC WASHER AND INSERT THE THREADED END OF THE CONE HEAD SET SCREW (M) THROUGH THE BUSHING INTO THE THREADED INSERT IN THE HANDLE AND TIGHTEN.



REPEAT FOR THE BOTTOM HOLE. PLACE PLASTIC WASHERS AGAINST THE OPPOSITE SIDE OF THE GLASS AND PRESS THE REMAINING HANDLE (N) OVER THE END OF THE CONE HEAD SCREW. WHILE HOLDING THE HANDLES FIRMLY AGAINST THE GLASS TIGHTEN THE SET SCREWS (O).

11. DETERMINE THE DESIRED HANDING OF THE DEFLECTOR (P). THE DEFLECTOR LEG MUST GO TO THE INSIDE OF THE UNIT AND THE NOTCH FITS UNDER THE HINGE RAIL AS SHOWN IN THE DRAWING BELOW. TO DETERMINE THE DOOR PANEL WIDTH MEASURE THE DISTANCE FROM THE EDGE OF THE HINGE RAIL TO THE FAR EDGE OF THE GLASS DOOR PANEL. THE DEFLECTOR SHOULD BE CUT TO DOOR PANEL WIDTH - 7/16".



PRESS THE DEFLECTOR FIRMLY ON THE BOTTOM EDGE OF THE GLASS. PRESS AN END CAP (Q) INTO THE TOP END OF THE HINGE RAIL.

NEATLY CAULK THE INSIDE PERIMETER OF THE SHOWER CURB AND WALL JAMBS. NOTE: ALLOW 24 HOURS FOR CAULK TO CURE BEFORE USING YOUR SHOWER.

CLEAN YOUR NEW WATERFALL ENCLOSURE WITH A SOFT CLOTH AND A NON-ABRASIVE CLEANER WITH A NEUTRAL PH. DO NOT USE ACID BASED CLEANERS, VINEGAR OR SCOURING PADS TO CLEAN YOUR UNIT.



WATERFALL
BATH ENCLOSURES

www.waterfallbathenclosures.com