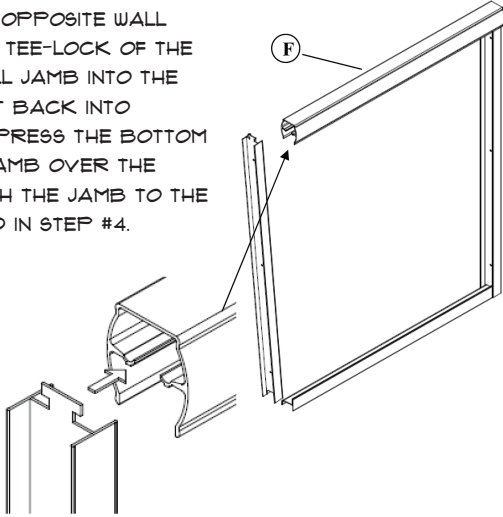
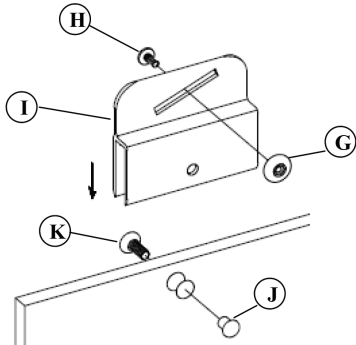


5. MEASURE THE WALL-TO-WALL OPENING AT THE TOP OF THE WALL JAMBS. CUT THE HEADER (F) 1/16" SHORT OF THIS DIMENSION AND CHECK FOR FIT. SLIDE THE HEADER OVER THE TEE-LOCK ON THE MOUNTED WALL JAMB. PIVOT THE HEADER TO CLEAR THE OPPOSITE WALL AND SLIDE THE TEE-LOCK OF THE REMAINING WALL JAMB INTO THE HEADER. PIVOT BACK INTO POSITION AND PRESS THE BOTTOM OF THE WALL JAMB OVER THE TRACK. ATTACH THE JAMB TO THE WALL AS NOTED IN STEP #4.

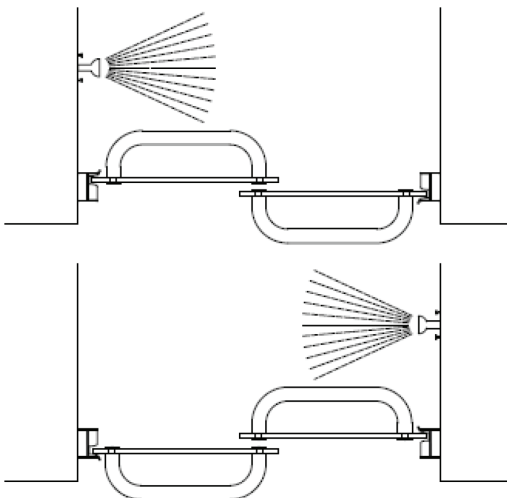


6. ATTACH A ROLLER BEARING (G) TO A HANGER BRACKET (I) WITH A #8-32 X 3/8" HEX WASHER HEAD SCREW (H) AS SHOWN. MAKE SURE THE BEARING IS LOCATED ON THE SIDE OF THE FIN WITH A RECESS AS SHOWN IN THE ILLUSTRATION. SLIDE THE BRACKET OVER THE DOOR PANEL AND INSERT A THREADED CAP (J) THROUGH THE BRACKET AND INTO THE HOLE IN THE GLASS DOOR PANEL. THREAD A #6 X 1/4" TRUSS HEAD MACHINE SCREW (K) INTO THE CAP AND TIGHTEN SECURELY.

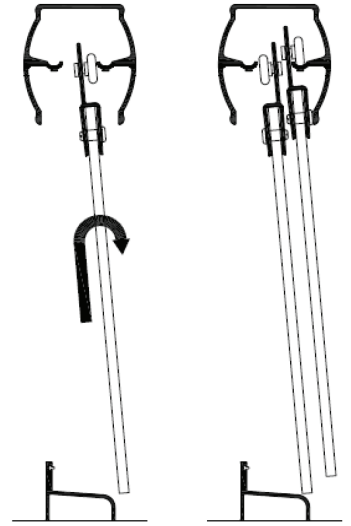


REPEAT THIS PROCEDURE FOR THE REMAINING THREE BRACKETS.

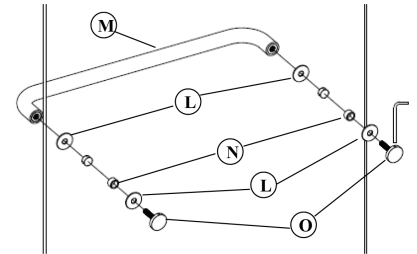
7. PROPER PANEL ORIENTATION SHOULD BE DETERMINED BEFORE INSTALLING THE DOOR PANELS. TO PREVENT LEAKAGE THE INTERIOR PANEL SHOULD ALWAYS BE POSITIONED CLOSEST TO THE SHOWER HEAD AS SHOWN IN THE ILLUSTRATION BELOW.



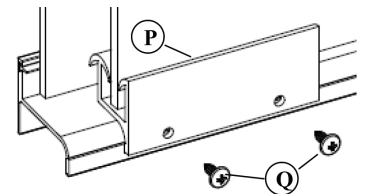
8. FOR UNITS GLAZED WITH OBSCURE GLASS, IDENTIFY THE INTERIOR AND EXTERIOR PANELS. ROLLERS ON THE EXTERIOR PANEL ARE INSTALLED ON THE SAME SIDE AS THE TEXTURED SURFACE OF THE GLASS. ROLLERS ON THE INTERIOR PANEL ARE INSTALLED ON THE SMOOTH SIDE OF THE GLASS. FOR EASE OF CLEANING, OBSCURE GLASS IS ALWAYS INSTALLED WITH THE TEXTURED SURFACE TO THE EXTERIOR OF THE UNIT. STANDING OUTSIDE THE TUB OR SHOWER, LIFT THE INTERIOR PANEL INTO THE HEADER AS SHOWN AND POSITION THE ROLLERS INTO THE TRACK IN THE HEADER. REPEAT FOR THE EXTERIOR PANEL. CHECK FOR EASE OF OPERATION AND DETERMINE IF THE PANELS ARE PARALLEL TO THE WALL JAMBS. IF THE PANEL DOES NOT LINE UP WITH THE WALL JAMB, REMOVE AND ADJUST THE ROLLERS IN THE DIAGONAL SLOT FOR PROPER ALIGNMENT.



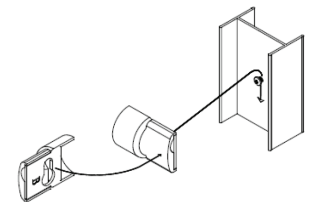
9. PLACE A PLASTIC WASHER (L) AGAINST ONE END OF THE TOWEL BAR (M) THEN PLACE A BUSHING (N) INTO ONE TOWEL BAR HOLE. PUSH THE TOWEL BAR AND WASHER AGAINST THE GLASS. PLACE A PLASTIC WASHER (L) OVER THE THREADED END OF A TOWEL BAR CAP (O) AND INSERT THE THREADED END OF THE TOWEL BAR CAP AGAINST THE BUSHING INTO THE THREADED INSERT IN THE TOWEL BAR. USE AN ALLEN WRENCH IN THE TOWEL BAR CAP TO TIGHTEN. REPEAT FOR THE OTHER END OF THE TOWEL BAR. REPEAT THIS ENTIRE PROCEDURE FOR THE SECOND TOWEL BAR.



10. LOCATE THE BOTTOM GUIDE (P) IN THE CENTER OF THE TRACK WITH THE INTERIOR PANEL POSITIONED AS SHOWN. DRILL TWO MOUNTING HOLES IN THE TRACK WITH A 1/64" BIT USING THE HOLES IN THE GUIDE P AND THE V-GROOVE IN THE TRACK TO LOCATE PROPERLY. ATTACH WITH TWO #6 X 3/8" PAN HEAD SCREWS (Q).



11. THERE ARE 4 BUMPERS (R) LABELED "L" FOR INSTALLATIONS WITH THE SHOWER HEAD ON THE LEFT AND 4 BUMPERS LABELED "R" FOR INSTALLATIONS WITH THE SHOWER HEAD ON THE RIGHT. SELECT THE CORRECT BUMPERS AND INSTALL BY PRESSING THE LOWER PORTION OF THE "KEYWAY" OVER THE HEAD OF THE SCREW AND SPACERS INSTALLED IN STEP #4 AND PRESSING DOWN.



WATERFALL
BATH ENCLOSURES

www.waterfallbathenclosures.com