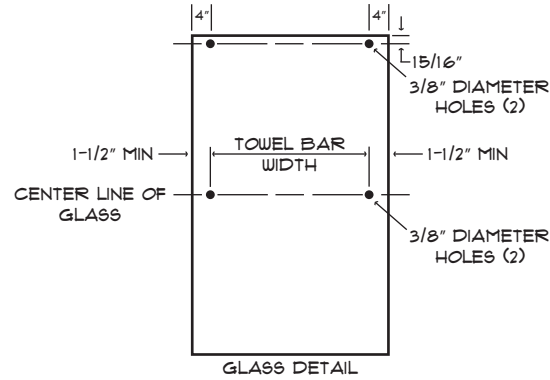
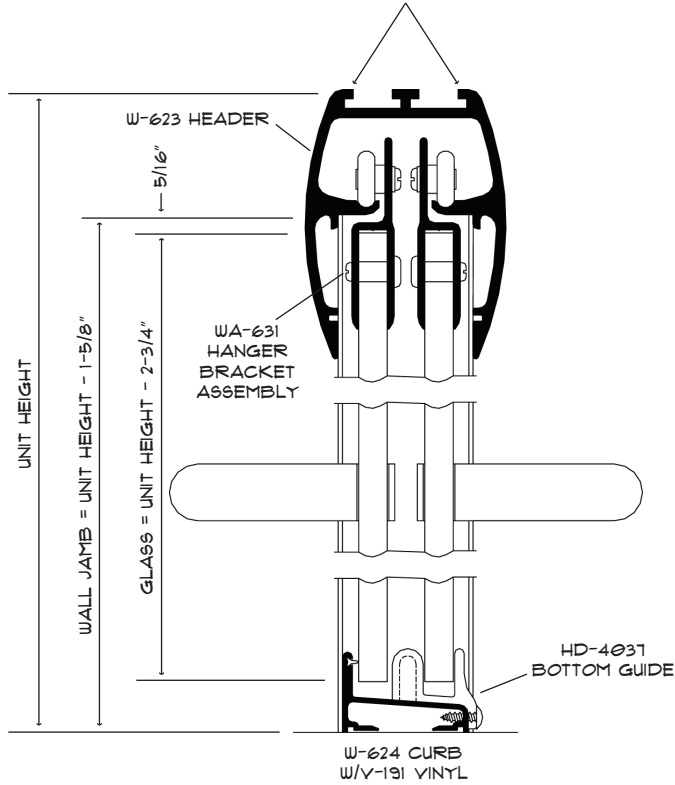


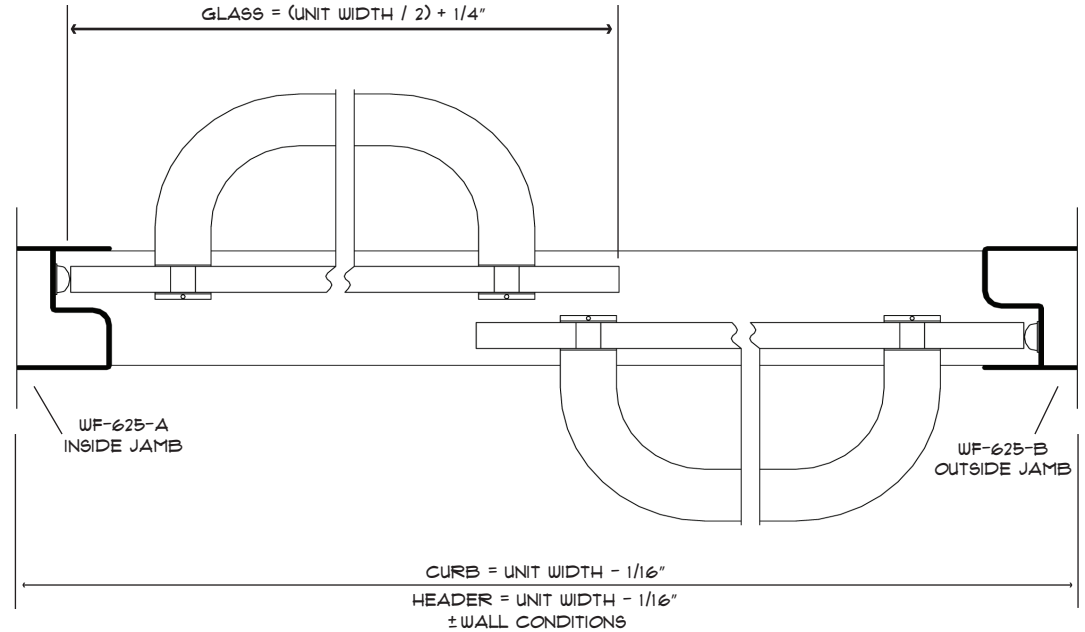
NOTE: THIS DOOR MAY BE INSTALLED WITHOUT WALL JAMBS. BWB2 CLIPS INSTALLED IN THIS AREA ATTACH THE HEADER TO THE WALL. CONTACT YOUR WATERFALL SERVICE CENTER FOR DETAILS.



MODEL 10 @ 58-1/2" TALL		
STOCK GLASS	DOOR OPENING $\pm \frac{1}{2}$ "	TOWEL BARS
27-1/4" X 55-3/4"	54"	TB-22
28-3/4" X 55-3/4"	57"	TB-22
30-1/4" X 55-3/4"	60"	TB-24

MODEL 11 @ 71-1/2" TALL		
STOCK GLASS	DOOR OPENING $\pm \frac{1}{2}$ "	TOWEL BARS
24-1/4" X 68-3/4"	48"	TB-18
25-3/4" X 68-3/4"	51"	TB-20
27-1/4" X 68-3/4"	54"	TB-22
28-3/4" X 68-3/4"	57"	TB-22
30-1/4" X 68-3/4"	60"	TB-24

TOWEL BARS AVAILABLE IN WIDTHS OF: 18", 20", 22", 24", 26" & 28"



MODEL 10/11

Heavy Glass Slider
for Tubs & Showers

MAXIMUM ALLOWABLE WIDTH OF UNIT = 72" (@ 71-1/4" TALL)
 MAXIMUM ALLOWABLE HEIGHT OF UNIT = 84" (@ 60" WIDE)
 FRAME: EXTRUDED ALUMINUM SHALL 6463-T6 ALLOY PER ASTM B 221
 HARDWARE: ALUMINUM, STAINLESS STEEL, OR OTHER CORROSION RESISTANT MATERIALS
 FINISH SPECIFICATIONS: ANODIZED OR POWDER COATED
 GLAZING POLYCARBONATES: CLEAR ACRYLIC
 TOWEL BARS: TUBULAR, MOUNTED THROUGH THE GLASS
 GLASS THICKNESS: 3/8" TEMPERED

REV DATE:
28SEPT2024

REFERENCE:
INSTALLATION
DETAIL