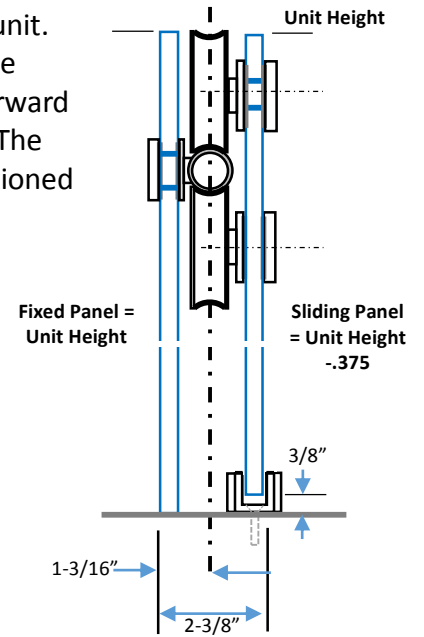


Installing Harmony Sliding Doors

1.



Determine the Centerlines of your unit. Note the fixed panel installs with the outside face of the glass 1-3/16" forward of the centerline (see illustration). The sliding panel should always be positioned closest to the shower head.

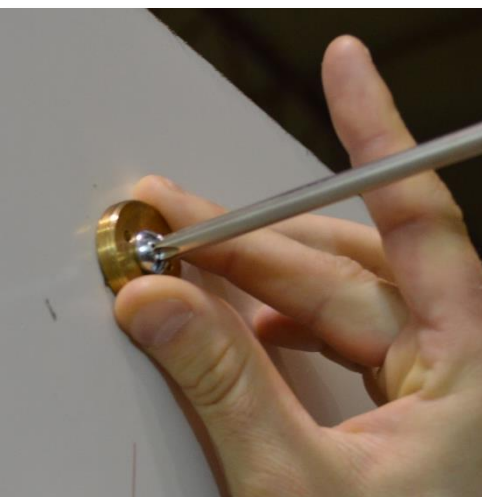


2.

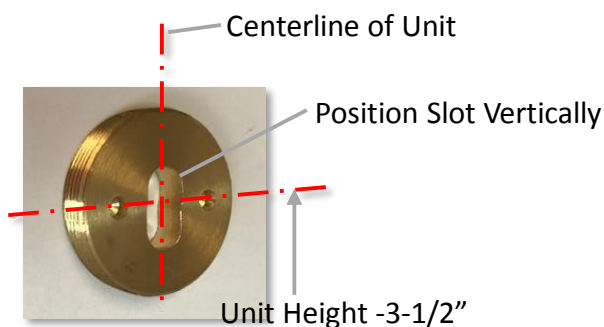


On the wall away from the shower head, make a mark 3-1/2" below the unit height and directly on the centerline. This is the location of the header.

3.



Using the screw and wall-plug provided, securely attach the Header Mount Bracket to the wall. Position the slot vertically and the screw in the center of the slot.



Installing Harmony Sliding Doors

4.



Use a Laser Level to mark the attachment point for the Header Mount Bracket on the opposite wall. Attach the bracket in the same manner as Step 3.

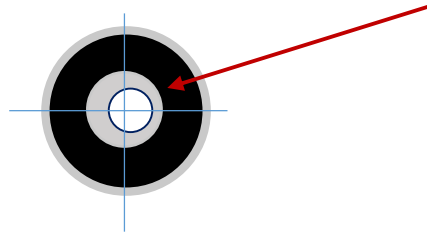
Note for proper operation of Harmony Doors, the header must be level. You will be able to make slight adjustments in later steps.

Before installing the Header, the Sliding Panel should be pre-assembled and positioned inside the shower.

5.



Position the Sliding Panel on a padded surface with the outside surface facing down. Hold the Top Roller in position and insert the Inside Retainer thru the glass and aligned with the threaded hole in the roller. *Important note: The portion of Inside Retainer inserted into the glass is elliptical. This allows the rollers to be adjusted in Step 23. Install the retainer with the elliptical shape horizontal as shown.*



6.



Tighten the screw with the Allen Wrench provided.

Repeat for the remaining Top Roller.



Installing Harmony Sliding Doors

7.



Use an Alcohol Pad to clean the edge of the Sliding Panel that meets the wall and install the Bulb Vinyl with the Double Stick Tape provided.

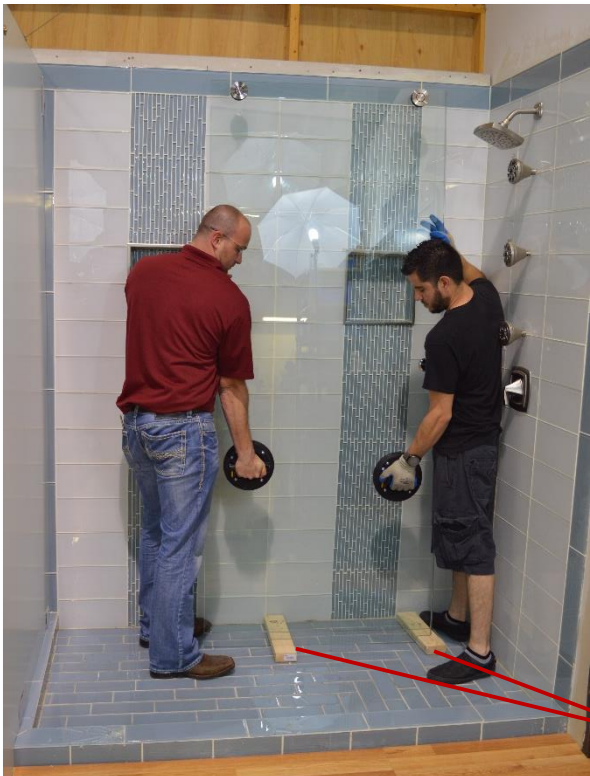
8.



Install the Finger Pull in the 2 inch diameter hole.

Note: These instructions show installation of the standard 2" Pull. You may also use a variety of 6" and 8" Pulls or the Harmony Ladder Pull

9.



Lean the Sliding Panel against the back wall of the shower. Be sure the bottom edges of the panel are protected by wood blocks or cardboard.

Wood Blocks or
Cardboard

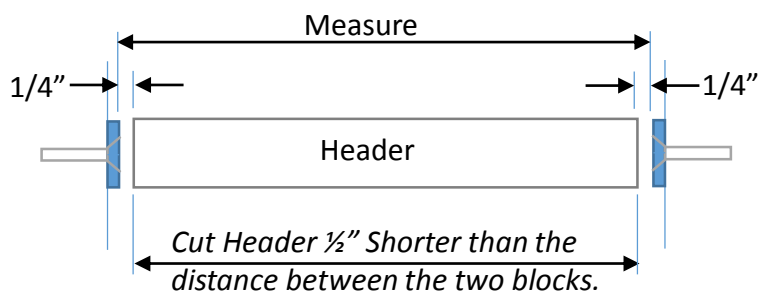
Installing Harmony Sliding Doors

Note: As a free service to our customers purchasing glass and Harmony Hardware, Waterfall will fabricate and pre-assemble Harmony Headers based on your dimensions. If your header is pre-fabricated, skip ahead to Step 16.

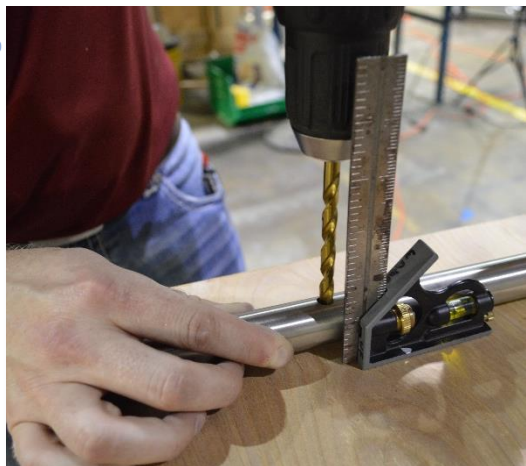
10.



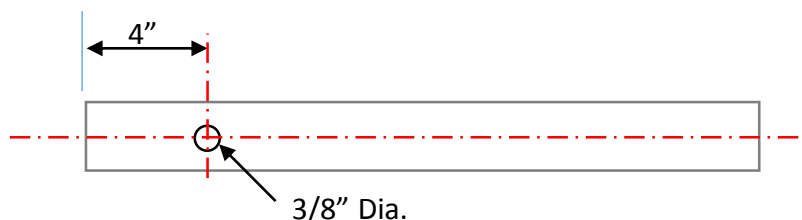
Measure the exact distance between the two blocks installed in Steps 3 & 4. Deduct $\frac{1}{2}$ " and cut your header to the calculated length.



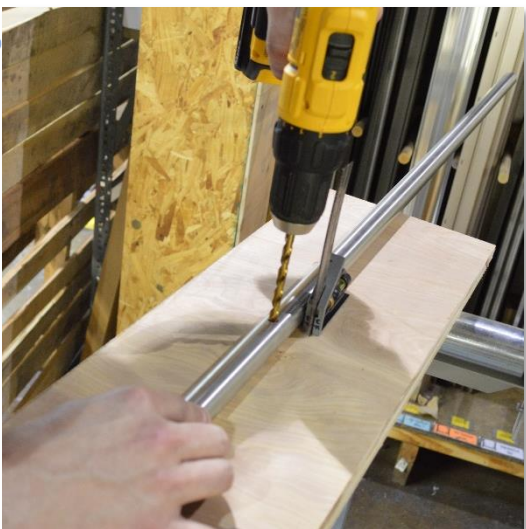
11.



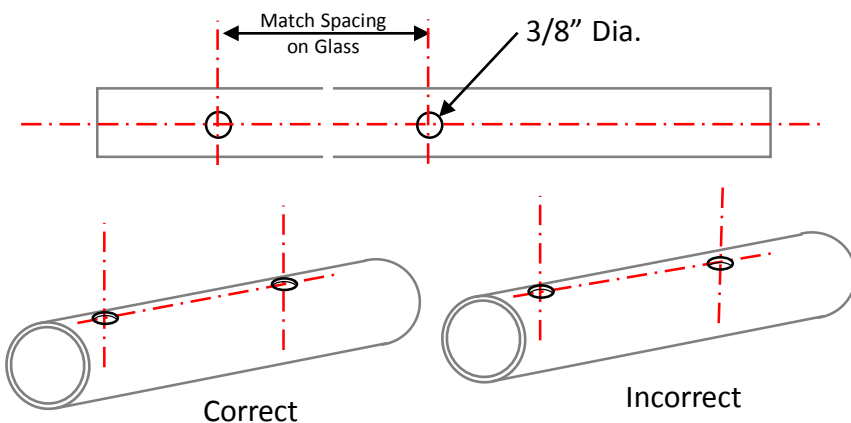
On the end of the Header where the Fixed Panel will be installed, measure in 4" and drill a $\frac{3}{8}$ " diameter hole. Note, only drill thru the outside wall of the header.



12.



Check the centerline dimension of the two holes in the Fixed Panel and drill a second $\frac{3}{8}$ " diameter hole spaced this exact dimension from the first hole. Note: It is important that both holes are in alignment. See illustration.



Installing Harmony Sliding Doors

13.



Use a ½" wooden dowel rod and double stick tape to insert the Threaded Retainer inside the Header. Slide into position with the threaded hole lining up with the drilled holes in the header.



14.



Install the Fixed Panel Glass Mount into the threaded hole away from the end of the header.

15.

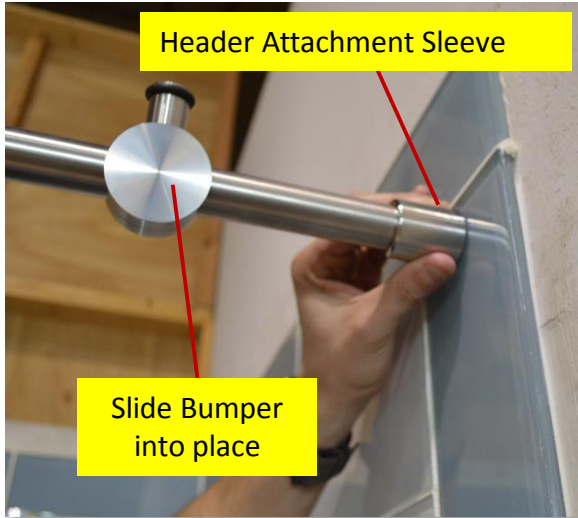


Before installing the Fixed Panel Glass Mount closest to the end of the header, position the Bumper approximately 6" from the end and loosely tighten the screw.

Install the second Fixed Panel Retainer in the remaining hole.

Installing Harmony Sliding Doors

16.



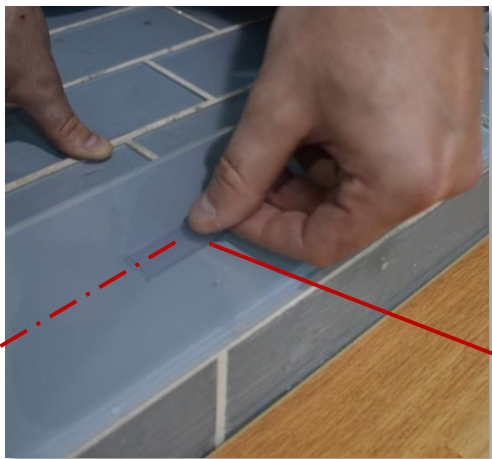
Before installing the header, slide the remaining bumper onto the header and loosely tighten.

Install the Header by sliding the Header Attachment Sleeves over both ends of the header; position the header between the Header Mount Brackets and thread the sleeve onto the brackets.

Check the header for level and if necessary unscrew the Attachment Sleeve and adjust position of the Header Mount Bracket.

Tighten the Set Screws on the Header Attachment Sleeve.

17.



To begin the installation of the Fixed Panel, place two clear setting blocks on the centerline of the fixed panel and approximately 3" from each end of the panel.

18.



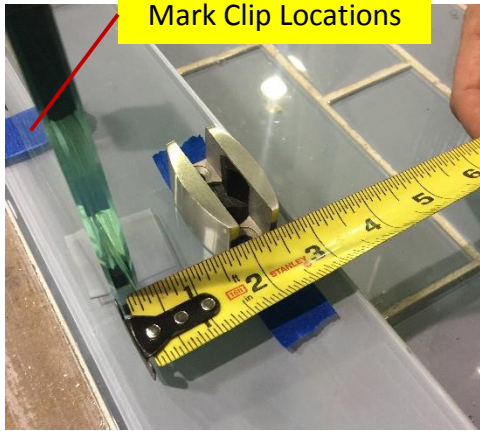
Position the Fixed Panel on the Centerline and with the Fixed Panel Retainers inserted into the holes.

Screw the Caps on the Fixed Panel Retainers



Installing Harmony Sliding Doors

19.



Use painters tape to mark the positions of the Glass Clips.

Position the Bottom Guide even with the edge of the glass and 2-3/16" from the outside face of the glass to the centerline of the Guide. Mark the hole positions.

Remove the Fixed Panel, drill holes and install the Glass Clips. Drill the two holes for the Bottom Guide.

Re-Install the Fixed Panel and secure with the Face Plates screwed to the Glass Clips.

Before installing the Bottom Guide, set to the appropriate glass thickness by rotating the plastic insert and engaging the tab in the position shown.

For 3/8" Glass



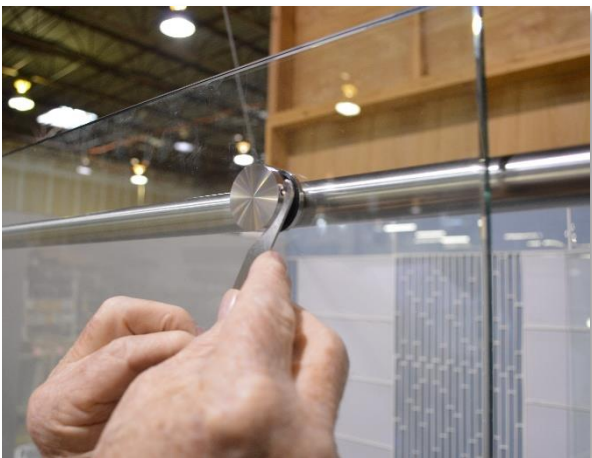
For 1/2" Glass

20.



The Bottom Guide may be installed at this time.

21.



Attach the Fixed Panel to the Header with the Fixed Panel Retainers and use the wrench provided to securely tighten.

Installing Harmony Sliding Doors

22.



Lift the Sliding Panel into position with the Rollers resting on the Header and the bottom engaged in the Bottom Guide.

23.



If the Sliding Panel is not parallel to the wall, loosen the roller screw and use the wrench provided to rotate the inner hub of the roller (reference Step 5). This rotation will raise and/or lower the top corner of the panel. After adjustment, securely tighten the roller screw.

24.



Install the Bottom Rollers and use the wrench to adjust to just barely contact the header,

Installing Harmony Sliding Doors

25.



Adjust the stop to position the glass against the wall.

26.



Adjust the remaining stop to set the open position of the door.

Seal the Fixed Panel with a good grade of clear silicone sealant.

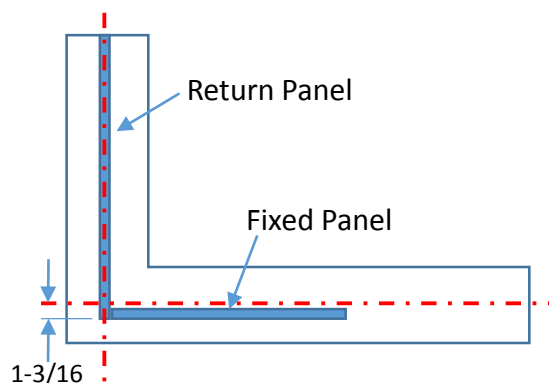
Your installation of a two panel Harmony Slider is now complete. Congratulations.

Installing Harmony Sliding Doors With A Return Panel

1A.

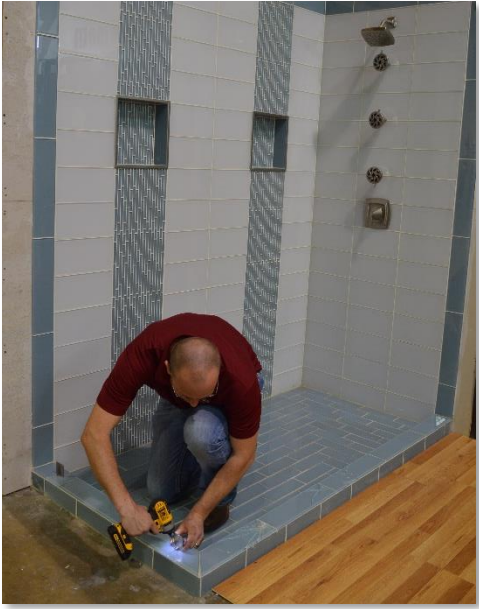


Measure and mark the center line of the Return Panel. Note the Return Panel goes 1-3/16" past the centerline of the Sliding and Fixed Panel. The forward edge of the Return Panel lines up with the outside edge of the Fixed Panel.



Installing Harmony Sliding Doors

2A.

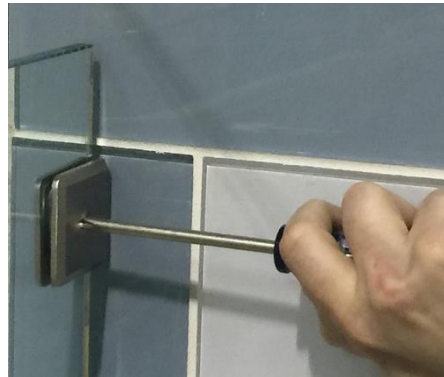


Install the Glass Clips in the proper position to match the notches in the glass.

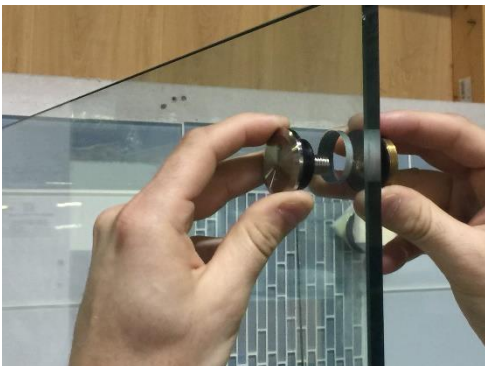
3A.



Install the Fixed Panel and securely tighten the Glass Clips



4A.



Install the Return Bracket thru the glass and tighten with the special tool available from Waterfall.



The Sliding Panel and Fixed Panel are now installed in the same sequence as a two panel door. Refer to Step 1